

Cast Iron Sectional
Light-Oil Fired
High Efficiency

MT BOILER
24 - 66 KW



CE

ISO 9001



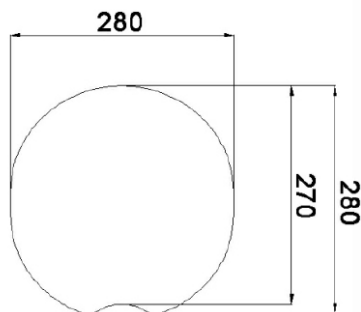
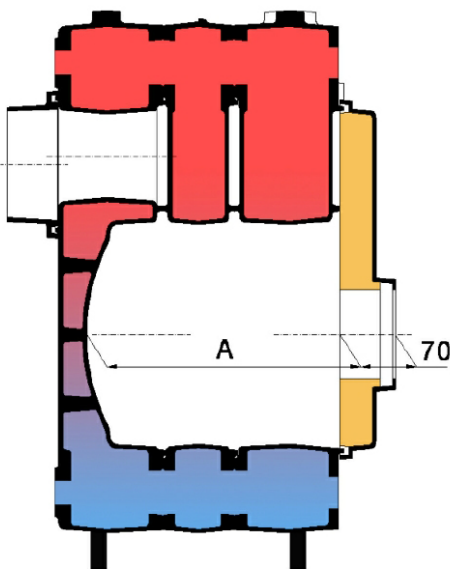
 **TBK**

MT BOILER

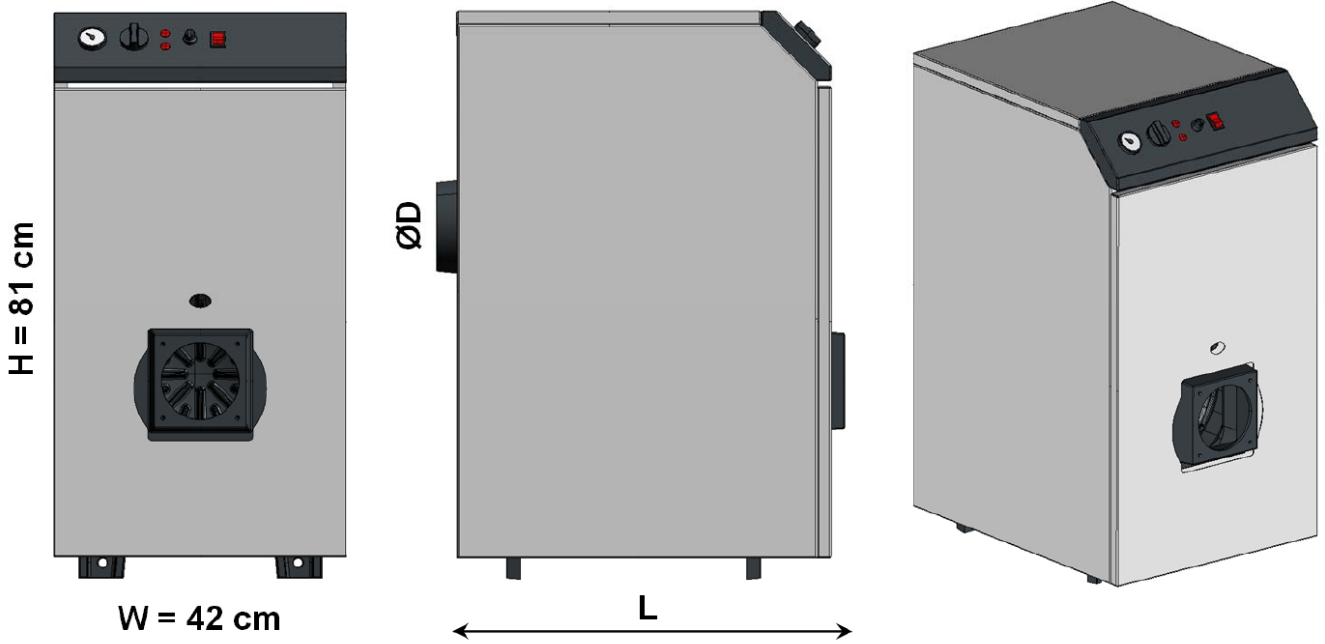


- Light-oil pressurized fired heating boilers or heating units ranging from 24 kW up to 66 kW.
- Thanks to its optimized heat exchanger design New MT Boiler achieves very high efficiencies level at maximum input rate according to 92/42/EEC.

- Cast iron sectional design in horizontal three pass flue circulation principle which ensures maximum reliability and longer life thanks to its resistance to high thermal stresses.
- Low temperature boiler according to EN 303 Part 1.
- User and maintenance friendly control system.
- Working pressures up to 4 bars and working temperatures up to 100 °C.



TYPE	A
MT 3 (3 sections)	320
MT 4 (4 sections)	411
MT 5 (5 sections)	502
MT 6 (6 sections)	593
MT 7 (7 sections)	684
MT 8 (8 sections)	775



CE

TYPE		MT-3	MT-4	MT-5	MT-6	MT-7	MT-8	
NUMBER of SECTIONS		3	4	5	6	7	8	
HEAT OUTPUT	kW	24	32	40	48	57	66	
HEAT OUTPUT	Kcal/h	20.800	27.700	34.700	41.600	49.400	57.200	
EFFICIENCY	%	90	90,6	92,5	93	93,3	93,5	
WORKING TEMPERATURE max.	°C	100						
WORKING PRESSURE max.	bar	4						
BOILER CHIMNEY DIAMETER	mm	130			150			
FLUE GAS TEMPERATURE	°C	175	160	160	160	185	185	
WATER INLET-OUTLET	inch	1 ¼"			1 ½"			
BOILER WATER CONTENT	lt	19,6	23,4	27,2	31	34,8	38,6	
ELECTRICAL SUPPLY		220V / 50hz						
HEIGHT	mm	810						
WIDTH	mm	420						
LENGTH	mm	452	543	634	725	816	907	
WEIGHT	kg	108	132	156	180	204	228	

TBK

GNB DIŞ TİC. LTD. ŞTİ.
 Çamlık Mah.Şehit Burak Kurtuluş Cad.
 Uğurlu Sokak No:67 K:2 D:8
 Ümraniye/ İstanbul/ TURKEY

Tel: + 90 216 415 39 66
 Fax: + 90 216 415 39 88
 E-Posta: info@gnb.com.tr
 "GNB: Your Heat Partner in Turkey"